

TORRO® WF Assortment

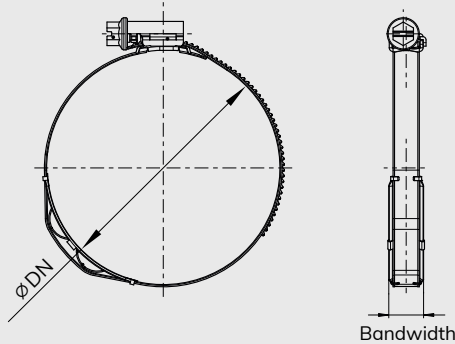


Dynamic worm drive hose clamps for applications under extreme temperature changes

- ✓ One-stop solution finding the right size clamp for the majority of applications
- ✓ Easy identification of the components within the kit with the help of product descriptions
- ✓ Option to refill individual parts within the kit

Air Intake & Induction	Exhaust Systems
Cooling Systems	Fuel & Oil Systems
Turbocharger Installations	Fixing & Retaining

NORMACLAMP® TORRO® WF



Applications

The TORRO® WF clamp is fitted with a wave spring which automatically re-tensions to ensure optimal radial clamping force. The TORRO® WF is the ideal choice for applications under extreme temperature changes (e.g. charged air systems and cooling systems) in both passenger and commercial vehicles.

Material

Group W3

Part number	Description	Clamping range \varnothing DN (mm)	Bandwidth (mm)	Packaging quantity (pcs)
TORRO® WF Assortment				
0137 9702 050	TORRO® WF Assortment	12–80	9 and 12	1
The assortment contains:				
0127 7708 017	TORRO® WF 12–22/9	12–22	9	5
0127 7708 026	TORRO® WF 20–32/9	20–32	9	10
0127 7708 037	TORRO® WF 30–45/9	30–45	9	10
0137 7708 050	TORRO® WF 40–60/12	40–60	12	10
0137 7708 060	TORRO® WF 50–70/12	50–70	12	10
0137 7708 070	TORRO® WF 60–80/12	60–80	12	5

Additional benefits

- ✓ Automatic re-tensioning effect in the event of hose relaxation
- ✓ Increased sealing reliability across a wide temperature range
- ✓ Even distribution of forces due to asymmetric housing

TORRO® WF Assortment is part of a broad portfolio. Discover more!



ABA Mini



Fuel Line Repair Kit



Do you have questions or require a personal consultation?
 Feel free to contact our Automotive Aftermarket Team! Hotline +44 1635 574 005
 Visit our website for more information about our Automotive Aftermarket products: norma-aftermarket.com

