

# NORMAFIX® RS



## Pipe retaining clips in accordance with DIN 3016

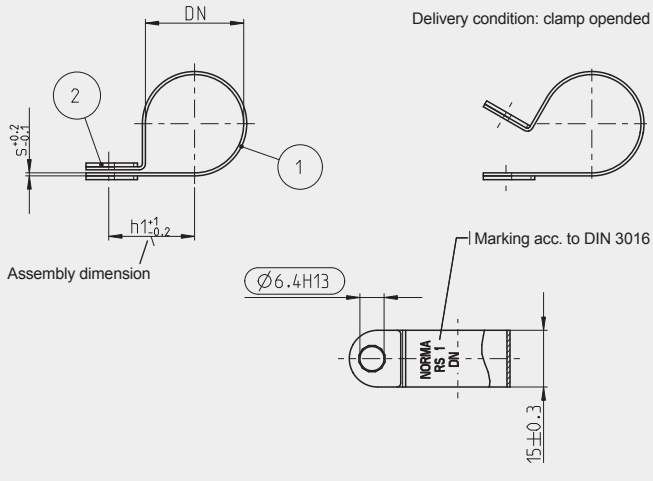
✓ Easy installation and secure fastening

✓ Reinforced band ends for extremely high mechanical loads

RETAINING CLIPS



**NORMAFIX® RS**



**Applications**

NORMAFIX® RS is well suited to applications that require a complete fixation, e.g., for:

- Machine building
- Railway industry
- White goods
- Agricultural machines
- Chemical industry
- Building machines
- Engine manufacturing
- Ship manufacturing

**Material**

<b>Group</b>	W1, W3*, W4*, W5
<b>Rubber</b>	EPDM

\* On request

Band width (mm)	Description	Bolt recommended	Part number		Packaging quantity (pcs)
			W1	W5	
12	RS 1. 6/12	M5	0411 8912 006	0411 7712 006	100
	RS 1. 8/12		0411 8912 008	0411 7712 008	100
	RS 1. 10/12		0411 8912 010	0411 7712 010	100
	RS 1. 12/12		0411 8912 012	0411 7712 012	100
	RS 1. 13/12		0411 8912 013	0411 7712 013	100
	RS 1. 14/12		0411 8912 014	0411 7712 014	100
	RS 1. 15/12		0411 8912 015	0411 7712 015	100
	RS 1. 16/12		0411 8912 016	0411 7712 016	100
	RS 1. 18/12		0411 8912 018	0411 7712 018	100
	RS 1. 19/12		0411 8912 019	0411 7712 019	100
	RS 1. 20/12		0411 8912 020	0411 7712 020	100
	RS 1. 21/12		0411 8912 021	0411 7712 021	100
RS 1. 22/12	0411 8912 022	0411 7712 022	100		
15	RS 1. 6/15	M6	0411 8915 006	0411 7715 006	100
	RS 1. 8/15		0411 8915 008	0411 7715 008	100
	RS 1. 10/15		0411 8915 010	0411 7715 010	100
	RS 1. 12/15		0411 8915 012	0411 7715 012	100
	RS 1. 13/15		0411 8915 013	0411 7715 013	100
	RS 1. 14/15		0411 8915 014	0411 7715 014	100
	RS 1. 15/15		0411 8915 015	0411 7715 015	100
	RS 1. 16/15		0411 8915 016	0411 7715 016	100
	RS 1. 18/15		0411 8915 018	0411 7715 018	100
	RS 1. 19/15		0411 8915 019	0411 7715 019	100
	RS 1. 20/15		0411 8915 020	0411 7715 020	100
	RS 1. 21/15		0411 8915 021	0411 7715 021	100
	RS 1. 22/15		0411 8915 022	0411 7715 022	100
	RS 1. 23/15		0411 8915 023	0411 7715 023	100
	RS 1. 25/15		0411 8915 025	0411 7715 025	100
	RS 1. 26/15		0411 8915 026	0411 7715 026	100
	RS 1. 28/15		0411 8915 028	0411 7715 028	100
	RS 1. 30/15		0411 8915 030	0411 7715 030	100
RS 1. 32/15	0411 8915 032	0411 7715 032	100		
RS 1. 34/15	0411 8915 034	0411 7715 034	100		
RS 1. 35/15	0411 8915 035	0411 7715 035	100		

Band width (mm)	Description	Bolt recommended	Part number		Packaging quantity (pcs)
			W1	W5	
20	RS 1. 10/20	M8	0411 8920 010	0411 7720 010	50
	RS 1. 12/20		0411 8920 012	0411 7720 012	50
	RS 1. 13/20		0411 8920 013	0411 7720 013	50
	RS 1. 14/20		0411 8920 014	0411 7720 014	50
	RS 1. 15/20		0411 8920 015	0411 7720 015	50
	RS 1. 16/20		0411 8920 016	0411 7720 016	50
	RS 1. 18/20		0411 8920 018	0411 7720 018	50
	RS 1. 19/20		0411 8920 019	0411 7720 019	50
	RS 1. 20/20		0411 8920 020	0411 7720 020	50
	RS 1. 22/20		0411 8920 022	0411 7720 022	50
	RS 1. 23/20		0411 8920 023	0411 7720 023	50
	RS 1. 24/20		0411 8920 024	0411 7720 024	50
	RS 1. 25/20		0411 8920 025	0411 7720 025	50
	RS 1. 28/20		0411 8920 028	0411 7720 028	50
	RS 1. 30/20		0411 8920 030	0411 7720 030	50
	RS 1. 32/20		0411 8920 032	0411 7720 032	50
	RS 1. 34/20		0411 8920 034	0411 7720 034	50
	RS 1. 35/20		0411 8920 035	0411 7720 035	50
	RS 1. 36/20		0411 8920 036	0411 7720 036	50
	RS 1. 38/20		0411 8920 038	0411 7720 038	50
RS 1. 40/20	0411 8920 040	0411 7720 040	50		

**Technical benefits**

- ✓ Form fit, adjustable band
- ✓ Reinforced band ends
- ✓ Can be supplied with rubber profile

**NORMAFIX® RS is part of a broad portfolio. Discover more!**



NORMAFIX® RSGU



NORMAFIX® Cable Ties



**Do you have questions or require a personal consultation?**  
 Feel free to contact our NORMA Team! Tel.: +49 6181 403-0  
 Visit our website for more information about our products: [norma-connects.com](http://norma-connects.com)