

# Connected to let it flow

SmartConnect Solutions  
for all irrigation systems

Joining and  
Fitting Products

Ideally suited  
for landscaping and  
agricultural applications



Leakage-free connection  
for maximum water  
savings



Highest durability  
for better system  
reliability



Excellent performance  
even under harsh  
conditions

# SmartConnect Solutions

**An irrigation system is only as good as its connecting parts. So why not build the best system you can by relying on tried and tested joining and fitting solutions?**

Nowadays, every drop of water counts. Joining and fastening elements are usually the weakest link in an irrigation system and we make sure your water flows smoothly to where it is ultimately needed, your plants.

**Don't let your connections be your weakest link.**

Discover our leading joining and fitting technology that connects your irrigation system just perfectly. We can provide you with the ideal solution that helps you put an end to inefficient water loss and meets all your irrigation needs.

Uncompromising quality and reliability have made NORMA® the preferred brand for agricultural applications, structural and civil engineering, and sanitary solutions.

**Benefit from an unrivaled portfolio, "Fit and Forget" installation and let your water flow without having to worry about it any longer.**

**SmartFit**  
Compression Fittings

**SmartFlow**  
Ball Valves

**SmartLoc**  
Dripline Fittings

**SmartProtect**  
Valve Boxes

**+ Reliable drip irrigation components and landscape solutions that complement our system solutions just perfectly**



## Unique expertise, decades of experience and outstanding product engineering

### Two strong brands are the key to your success

Advanced joining solutions from NORMA® meet even the most rigorous requirements in industries that face far greater challenges than irrigation. We ensure reliable connections in the automotive, construction and marine industries, despite constant temperature shifts, severe vibrations and contact with lubricants and chemicals.

With 45 years of experience delivering the highest quality products and support, NDS as a member of NORMA Group has profound experience specifically in the field of water management, especially for irrigation and drainage.

Your irrigation needs are also in the right hands when you turn to our highly reliable and durable products.

Our Professional Irrigation and Professional Drainage brands have been the products of choice for the professional sector for many decades. NDS products are now also available in Europe.

✓ **Leakage-free connection for maximum water savings**

✓ **Highest durability for better system reliability**

✓ **Excellent performance even under harsh conditions**

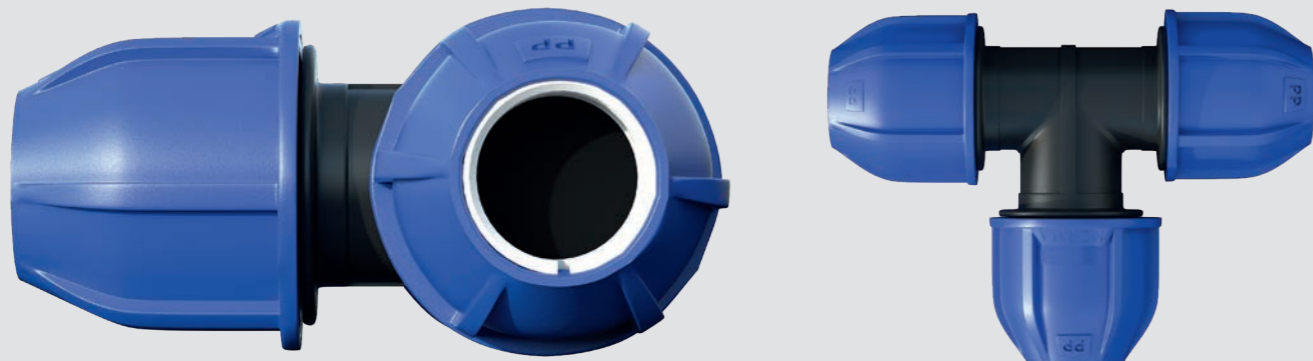


# SmartFit

## Compression Fittings

Securely connecting polyethylene tubing fast and efficiently to prevent leakage and pressure loss requires years of unique know-how and joining expertise. We at NORMA Group insist on minimum tolerances

and the highest quality joints that stand the test of time. Compression fittings from NORMA Group are ideally suited for even the most challenging applications in landscaping and agriculture.



**Complete product range available**  
From male/female adaptors to straight couplers, flange adaptors and equal bends

### NORMA® PN 10 & PN 16 Compression Fittings

NORMA®'s complete range allows for fast and secure connection of polyethylene tubing for all types of irrigation systems, whether for industrial, commercial or residential needs.

**Did you know that...**

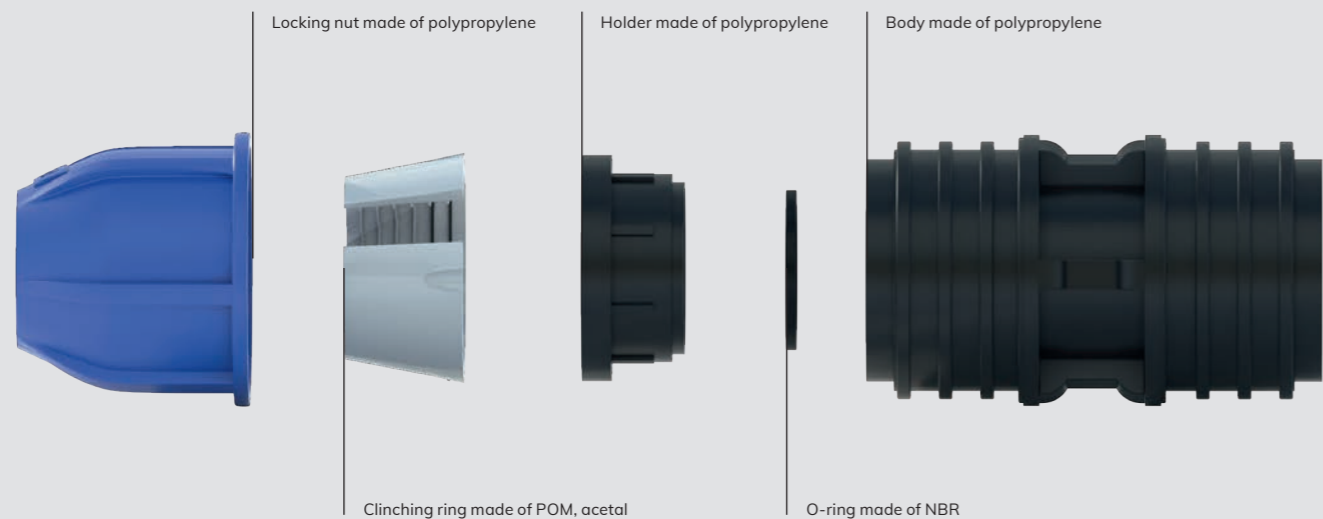
Our compression fittings for polyethylene tubing have been the products of choice for even the most challenging irrigation applications for over 25 years?

**Benefits at a glance**

- Safe and durable
- Perfect water tightness
- Easy connection
- High UV and temperature resistance

**Compatible with all irrigation systems:**

**Landscape:** residential, municipal, sports fields, golf courses  
**Agriculture:** horticulture, vineyards



NORMA® compression fittings are available from 16 mm up to 110 mm and are made of polypropylene for high- and low-density polyethylene tubing.

**Maximum service pressure: 16 bar**

**Tubing profile diameters available for PN 10, PN 12.5 & PN 16**



# SmartFlow Ball Valves

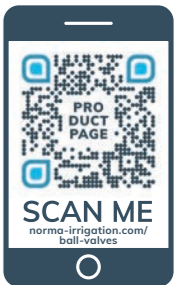
Our Ball Valves, "full flow" design ensures that there is minimum pressure loss and the option of a male or female version to eliminate the need for additional fittings.



**Complete product range available**  
From 15 mm-1/2"  
up to 50 mm-2"

**NORMA GUYCO Ball Valves**  
Our Ball Valve can be smoothly opened and closed to allow for water to flow and be stopped without any of it being lost.

**Did you know that...**  
Our Ball Valve's reinforced glass-nylon body can handle pressure up to 16 bar easily?

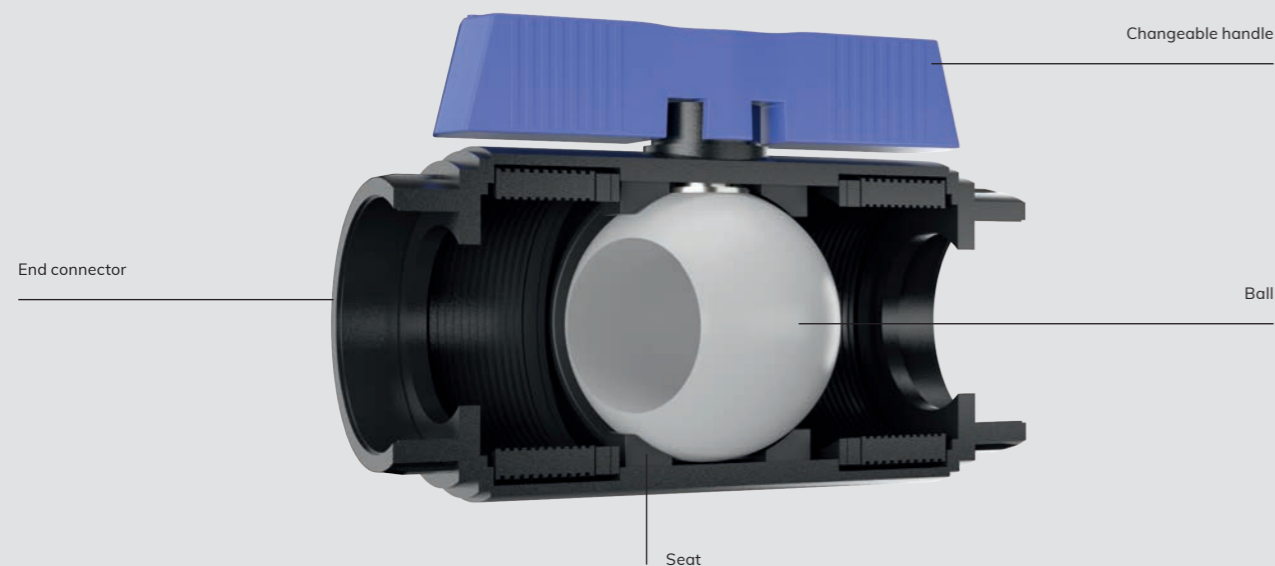


## Benefits at a glance

- High-quality glass-reinforced nylon construction
- Interchangeable handles to comply with international color coding for water
- Removable handle prevents unauthorized manipulation of the valve

## Compatible with all irrigation systems:

- Private or public commercial
- Golf courses
- Sports fields
- Agriculture



Due to the high-quality reinforced nylon construction, the reduction of the wall thickness provides for significant weight savings without impacting the mechanical resistance.

**Maximum service pressure:  
16 bar**

**Maximum operating temperature:  
60°**



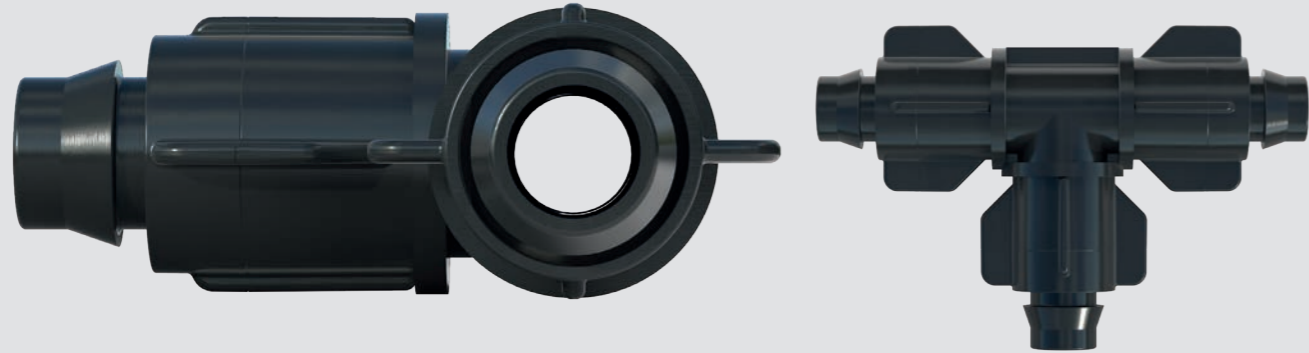
# SmartLoc

## Dripline Fittings

SmartLoc™ technology ensures extra fast and easy installation of the multi-diameter compression fitting that fits all Ø 16-18 mm drip tubing. Ideal for tubing repairs. These products ensure secure leakage-free

connections while maintaining full pressure. In addition, they are reusable because tubing can be inserted and removed without damaging the fitting.

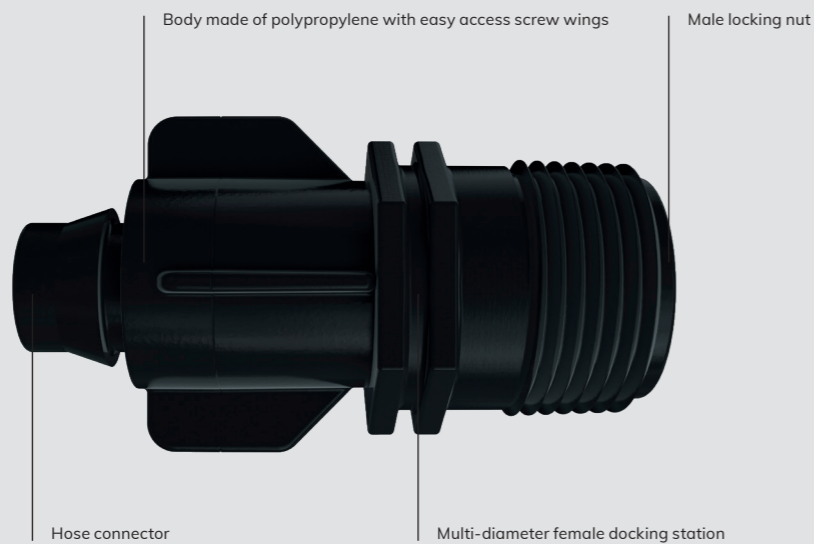
**Various multi-diameter fittings**  
Couplings, elbows, tees, end plugs, swivel adapters for 16, 17 and 18 mm tubing



### Benefits at a glance

- Reliable under even the most demanding conditions
- Removable and reusable
- UV-resistant
- Secure leak-free connections
- Greenhouses
- Gardens
- Private or public commercial uses
- Residential

Along with NORMA Dripline, this solution is ideal for



**Various multi-diameter fittings**  
Couplings, elbows, tees, end plugs, swivel adapters

**Maximum service pressure: 0.5–5.5 bar**

**Accepts tubing with an outer diameter of 16–18 mm**

### NDS Dripline Fitting

Smart-Loc™ technology ensures extra fast and easy installation of the multi-diameter compression fitting that fits all ½ drip tubing. Ideal for tubing repairs.

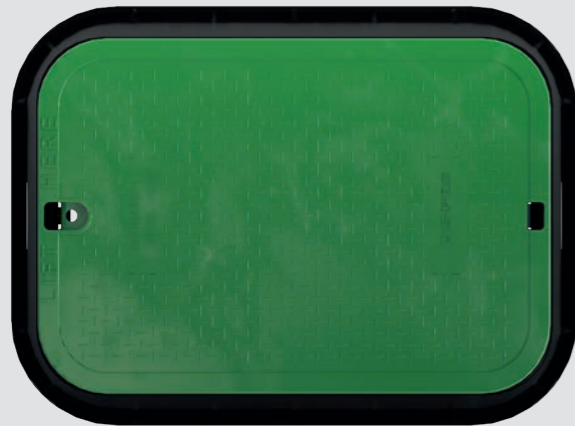
#### Did you know that...

You can install or repair 3 different sizes of polyethylene tubing from 16 mm to 18 mm with our SmartLoc™ fittings?



# SmartProtect Valve Boxes

SmartProtect NDS Valve Boxes are designed to ensure a long service life. Their reinforced covers can handle heavy loads. An integrated nut even allows for them to be bolted down.



Various sizes  
and colors available

More than 35 different  
rectangular and round box  
sizes in 5 colors

## NDS Valve Boxes

UV inhibitors for sustained durability and performance even in direct sunlight. Thanks to their unique design, all of these boxes lock easily and securely.

### Did you know that...

Our Pro-Spec™ Series has superior strength with unique corrugated sidewalls starting at Ø 25 cm round boxes?

### Benefits at a glance

- Corrugated side walls in the Pro-Spec Series for higher strength
- Thicker walls for reinforcement and thus added strength
- Overlapping covers prevent dirt and grass from settling in between the body and the cover

### Ideal for residential and commercial applications

- Private gardens
- Condominiums and industrial installations
- Golf courses
- Sports fields

Tapered body with a minimum wall thickness of 5 mm



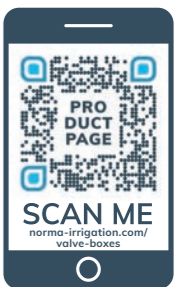
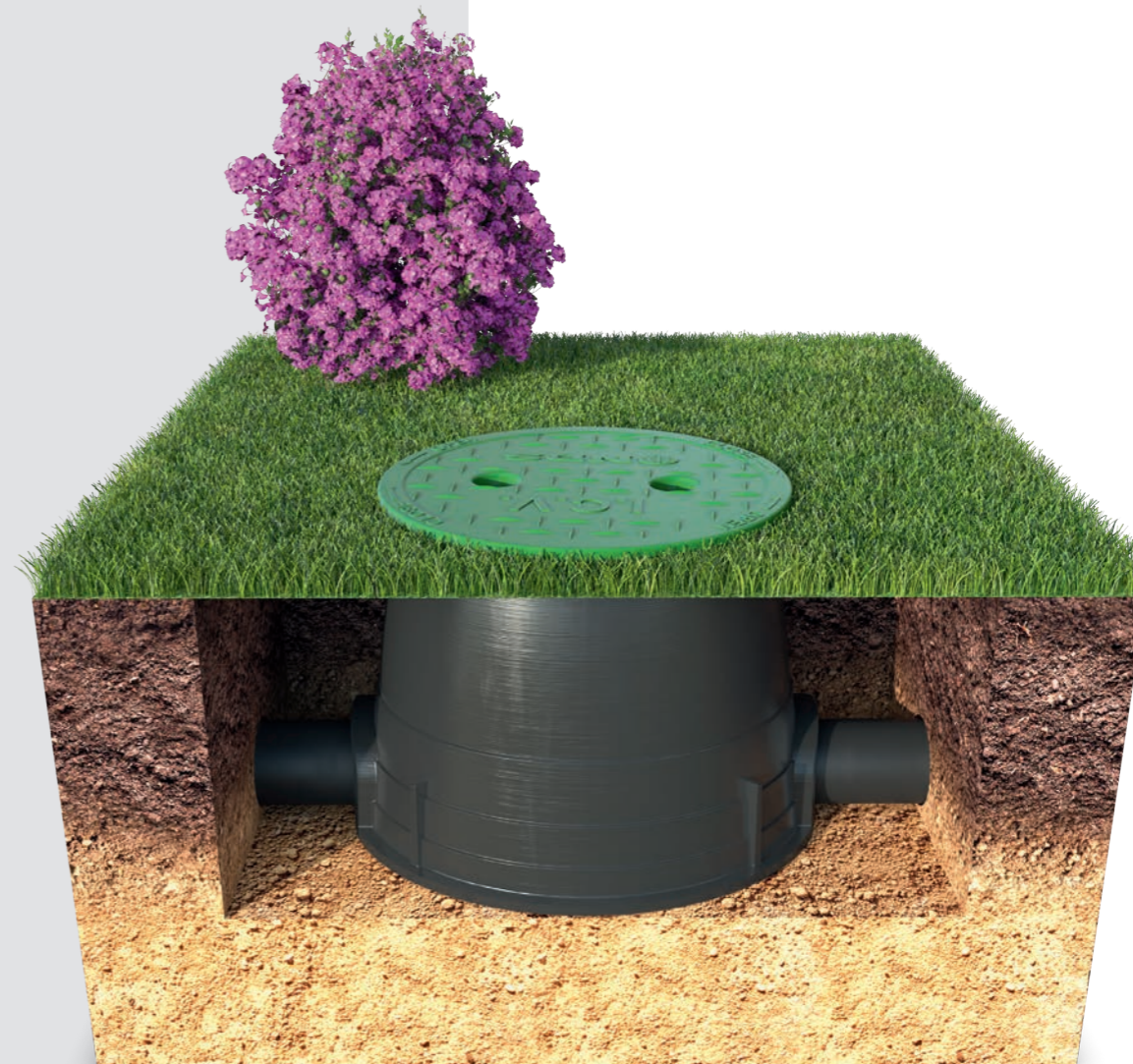
Brass nut for bolting down

Cover seat area with structural support ribs on the underside of the seat

One piece molded from polyolefins (polyethylene and polypropylene). Designations for irrigation control valve and reclaimed water.

Round valve box sizes: Ø 15 and 25 cm

Rectangular valve box sizes from 50–100 cm length and 30–65 cm width



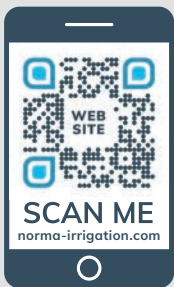
## Connected to let it flow

Leakage-free and highly durable irrigation system components – Thanks to our decades of experience in joining and connecting solutions for even the most demanding industries, we know what it takes to provide you with secure components for fit & forget irrigation systems that make your life and your customers' lives a lot easier. Contact us to learn more about our fittings, valve boxes and driplines. Because every drop counts, say yes to NORMA and farewell to leakage!

**Smart solutions. "Fit & Forget" installation. Excellent performance.**

NORMA Group is a global market and technology leader in engineered joining technology, offering more than 40,000 product solutions for diverse applications (automotive, shipbuilding, infrastructure, etc.). As a listed company, NORMA Group has its headquarters in Maintal near Frankfurt/Main, with around 8,800 employees serving customers in over 100 countries.

Visit our website for the latest information on NORMA® products: [norma-irrigation.com](http://norma-irrigation.com)



Discover our broad range of solutions for landscaping, agriculture and construction.