

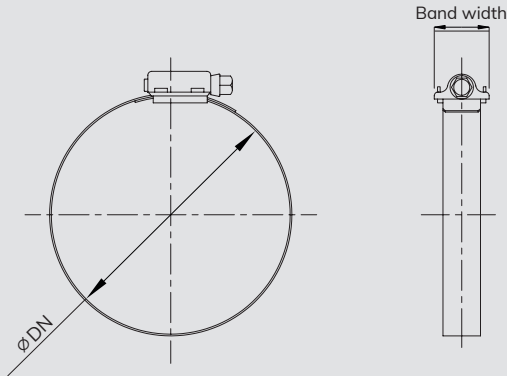
## NORMACLAMP® Hi-torque clamp



### Extremely strong clamp for traffic signage and fixing solutions

- ✓ Reusable, secure and reliable installation
- ✓ No loss of material when installing
- ✓ Easy to retighten in cases of expansion
- ✓ Easy installation of two signs on one pole

**NORMACLAMP® Hi-torque**



**Applications**

Hi-torque is well suited to applications involving poly and braided tubing that require a complete seal, e.g. for:

- Traffic signs, street signs, billboards and illuminated signs installation
- Heavy duty sealing applications
- Agricultural machines
- Chemical industry
- Food processing
- Fluid transfer

**Material**

<b>Group</b>	W4
<b>Band, housing and screw</b>	Stainless steel – AISI 304

Band width (mm)	Description	Clamping range $\varnothing DN$ (mm)	Part number	Packaging quantity (pcs)
16	Hi-torque 32-67	32 – 67	0560 6610 050	400
16	Hi-torque 54-105	54 – 105	0560 6610 080	200
16	Hi-torque 102-156	102 – 156	0560 6610 129	130
16	Hi-torque 156-232	156 – 232	0560 6610 194	75
16	Hi-torque 229-384	229 – 384	0560 6610 307	50

**Technical benefits**

- ✓ Screw housing for easy tightening
- ✓ 'In-line' housing, which enables every thread on the worm to engage with the band
- ✓ Perforated band
- ✓ Safety buckle, keeping the band aligned

**NORMACLAMP® Hi-torque is part of a broad portfolio. Discover more!**



HD



TORRO



**Do you have questions or require a personal consultation?**

Feel free to contact our NORMA Team! Tel.: +49 6181-403-0

Visit our website for more information about our products: [www.norma-connects.com](http://www.norma-connects.com)