



**CONNECTORS**

Connecting technology for Pharma & Biotech.

# Replacement Diaphragms

High-performance diaphragms for hygienic and industrial applications



# Engineered for Reliability and Process Stability

Our diaphragms combine advanced elastomer and fluoropolymer technologies with strict quality control to deliver consistent performance in critical applications.

## High cycle durability

Engineered for long service life under frequent valve actuation and steam cycles

## Material compliance

Made from materials suitable for hygienic and pharmaceutical applications (e.g. FDA, USP Cl. VI)

## Full traceability

Batch documentation supports quality and compliance requirements

## Chemical resistance

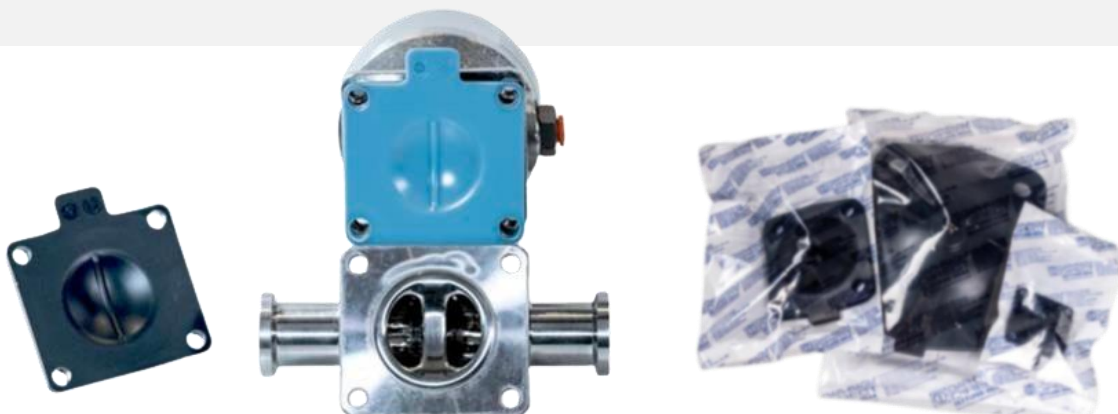
Fluoropolymer-based materials withstand aggressive media

## CIP/SIP capable

Reliable performance during cleaning and sterilization processes

## Dimensional consistency

Tight tolerances ensure a reliable fit in compatible valve bodies



# Reliable replacement diaphragms for your process

We focus on **performance, reliability and traceability**—so that you can maintain and optimize your existing valve installations without compromising on quality.

## Grade E7 EPDM Diaphragm

**MATERIAL:** Ethylene Propylene Diene Monomer (Peroxide Cured)

**SIZE:** ¼« – 6« (DN6 – DN150)

**TEMPERATURE:** -40 to 110°C Liquid Media  
-30 to 150°C Max Steam Sterilization (max 180 min. per cycle)

### REGULATORY COMPLIANCE:

- ✓ FDA 21 CFR 177.2600
- ✓ USP Class VI, <87>, <88>
- ✓ ISO 10993-5, -6, -10, -11
- ✓ ASME BPE part SG
- ✓ Certified Animal Derived Ingredient Free EMEA /410/01 TFE/BSE
- ✓ Fully lot traceable to EN 10204 3.1



*All Grade E7 EPDM Diaphragms have High Performance Woven Fabric Reinforcement*

# Reliable replacement diaphragms for your process

Our replacement diaphragms are designed to fit common OEM diaphragm valves and to support demanding applications such as CIP/SIP, steam sterilization and chemically aggressive media

## TFM™ (PTFE)/EPDM Diaphragm

**MATERIAL:** TFM™ (PTFE) backed EPDM

**SIZE:** ¼« – 6« (DN6 – DN150)

**TEMPERATURE:** -34 to 176°C

### REGULATORY COMPLIANCE:

- ✓ FDA 21 CFR 177.1550 (a)
- ✓ FDA 21 CFR 177.2600 (Backing cushion)
- ✓ USP Class VI, <87>, <88>
- ✓ ISO 10993-5, -6, -10, -11
- ✓ ASME BPE part SG
- ✓ Certified Animal Derived Ingredient Free EMEA /410/01 TFE/BSE
- ✓ Fully lot traceable to EN 10204 3.1



*TFM™ (PTFE) offer improved sealing and flex life. All Grade E7 grade backing cushion have high performance woven fabric reinforcement.*



# Radial Style Diaphragms

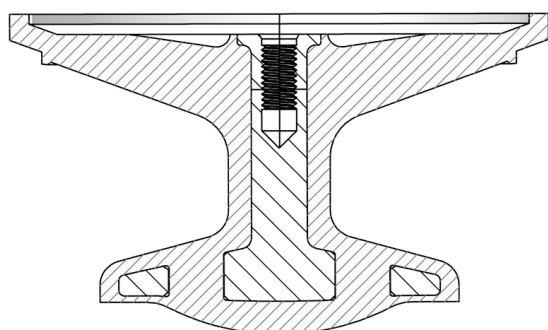
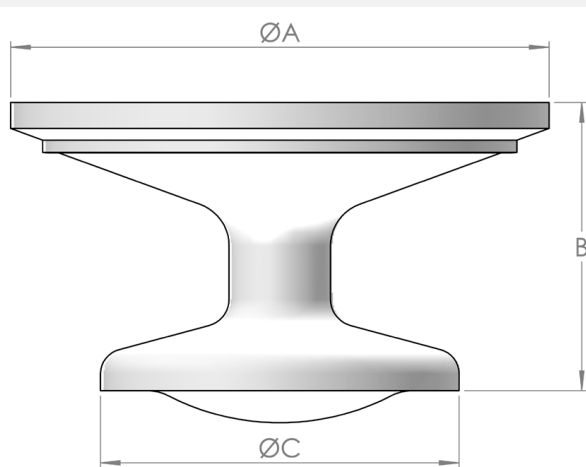
Our radial-style diaphragms are meticulously designed to ensure optimal fluid regulation in critical pharmaceutical and biotechnological processes. These diaphragms are ideal for applications such as Tank Bottom Outlet Valves and Point of Use valves.

Each diaphragm is laser-engraved with its Lot Number & Date of Manufacture, ensuring complete traceability. Manufactured under stringent quality controls, they meet the highest industry standards for safety and performance.

Diaphragm	Size	ØA	B	ØC	Int. Size
DN12	050	34.0	16.0	18.0	1/2"
DN18	075	46.5	22.5	25.0	3/4"
DN25	100	62.0	28.0	34.0	1"
DN38	150	75.0	41.0	48.0	1.5"
DN51	200	97.0	51.0	64.0	2"

## Materials:

- ✓ EPDM
- ✓ FKM
- ✓ Silicone white
- ✓ Silicone translucent
- ✓ TFM (*installs directly on the actuator with no extra tools or sealing components required*)



**ABOUT US** Connectors Verbindungstechnik AG is specialized in high-quality connection technology and process components for demanding industries. We support our customers with technical expertise, product selection and reliable supply of replacement parts for their installed base of diaphragm valves and other process equipment.

## Contact us!

### Connectors Verbindungstechnik AG

Hertistrasse 29, CH-8304 Wallisellen, Switzerland

Telefon: +41 (0) 52 354 68 68

[info@connectors.ch](mailto:info@connectors.ch)

[www.connectors.ch](http://www.connectors.ch)



CONNECTORS products are developed and manufactured to the highest quality standards. Various certifications attest to our ongoing commitment to providing our customers with the best products on the market.

## NOTICE

The replacement diaphragms offered in this catalog are **aftermarket products** designed to be compatible with commonly used OEM diaphragm valve systems. They are engineered to fit into corresponding valve bodies under properly specified application conditions and serve as functional alternatives to OEM diaphragms within existing installations.

These products are **not manufactured by, affiliated with, or endorsed by any Original Equipment Manufacturer (OEM)**, nor are they produced on behalf of any OEM. All third-party brand names, trademarks, model numbers, and part numbers remain the property of their respective owners and are used **solely for identification and compatibility purposes**.

Actual compatibility and performance may vary depending on process conditions, media, temperature, pressure, and installation environment. **Users are responsible for verifying the suitability** of the selected diaphragm for their specific application.